

## CLUB SERIES

### Undermount Round Bar/Prep Sink Model CF-1830



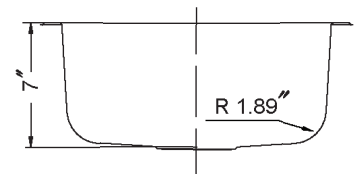
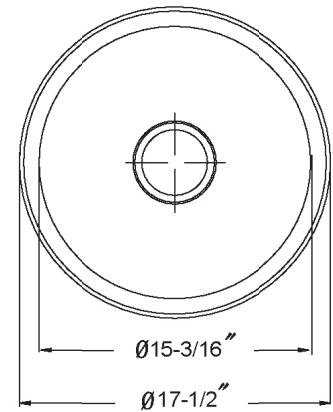
CF-1830

#### FEATURES

- Premium grade T-304 stainless steel
- 7" depth • 18 gauge
- StoneGuard™ undercoating over Super-Silencer pad
- SpecPlus™ edge
- Lustrous satin with highlighted rim
- Fits 24" sink base
- 3-1/2" drain opening
- Supplied with cutout template, fasteners and instructions
- Complies with ASME A112.19.3-2000, cUPC®
- Lifetime Limited Warranty



ASME A112.19.3-2000



#### OPTIONAL ACCESSORIES

Bottom Grid: BG-1800

Cutting Board : CB-1800

Strainer: 190-9180

OVERALL DIMENSIONS	EACH BOWL	CUTOUT SIZE	PACKAGING*	WEIGHT*
Ø17-1/2"	Ø15-3/16"	See Template	1/32/40 pcs.	10/360/380 lbs.

\*Standard packaging: Single boxed /Pallet of single boxed/Pallet of bulk pack.  
All dimensions are in inches. Specifications subject to change without notice.

Project/Job name \_\_\_\_\_

Architect/Engineer \_\_\_\_\_

Contractor \_\_\_\_\_

Model \_\_\_\_\_ Q'ty \_\_\_\_\_

Notes \_\_\_\_\_

#### Installation profile

