

ESTON SERIES

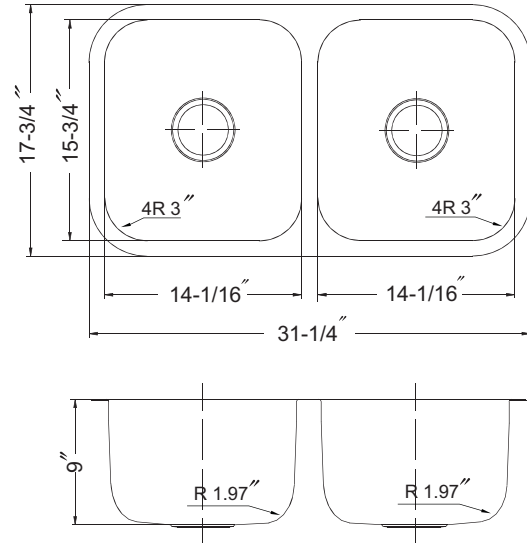
Undermount 50/50 Double Bowl Model STD-2100



STD-2100

FEATURES

- Premium grade T-304 stainless steel
- 9" depth • 18 gauge
- StoneGuard™ undercoating over Super-Silencer pad
- Lustrous satin with highlighted rim
- Fits 36" sink base • 3-1/2" drain opening
- Supplied with cutout template, fasteners and instructions
- cUPC® Listed
- 5 year Limited Warranty



OPTIONAL ACCESSORIES

- Bottom Grid: BG-3100
- Cutting Board : CB-3100
- Rinsing Basket: RB-3100
- Strainer: 190-9180

OVERALL DIMENSIONS	EACH BOWL	CUTOUT SIZE	PACKAGING*	WEIGHT*
31-1/4" x 17-3/4"	14-1/16" x 15-3/4"	See Template	1/16/5/20 pcs.	22/380/120/420 lbs.

*Standard packaging: Single boxed /Pallet of single boxed/Pallet of bulk pack/Pallet of bulk pack.
All dimensions are in inches. Specifications subject to change without notice.

Project/Job name _____

Architect/Engineer _____

Contractor _____

Model _____ Q'ty _____

Notes _____

Installation profile

