

HOSPITALITY SERIES

Bar Sink Model SBT-1515



SBT-1515

FEATURES

- Premium grade T-304 stainless steel
- 6-1/2" depth
- 19 gauge
- Super-Silencer pad
- Hi-polished ledge and satin bowl
- Fits 18" sink base
- 2" drain opening
- Supplied with fasteners and instructions
- cUPC® Listed
- Lifetime Limited Warranty



TYPE 304
PREMIUM STAINLESS STEEL

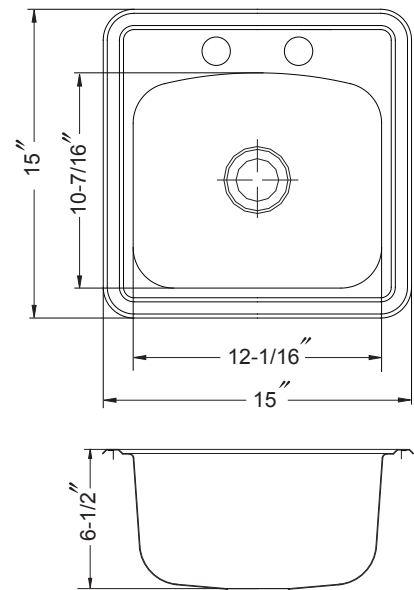
SUPER SILENCER

Lifetime Warranty

OPTIONAL ACCESSORIES

Bottom Grid: BG-1300

Strainer: 190-4200



OVERALL DIMENSIONS	EACH BOWL	CUTOUT SIZE	PACKAGING*	WEIGHT*
15" x 15"	12-1/16" x 10-1-16"	14-1/4" x 14-1/4"	1/40/40 pcs.	6/270/180 lbs.

*Standard packaging: Single boxed /Pallet of single boxed/Pallet of bulk pack.
All dimensions are in inches. Specifications subject to change without notice.

Project/Job name

Architect/Engineer

Contractor

Model

Q'ty

Notes

Installation profile

