

## ESTON SERIES

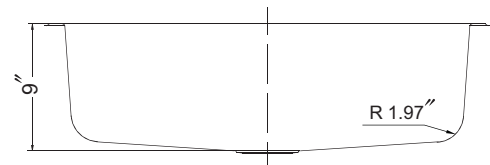
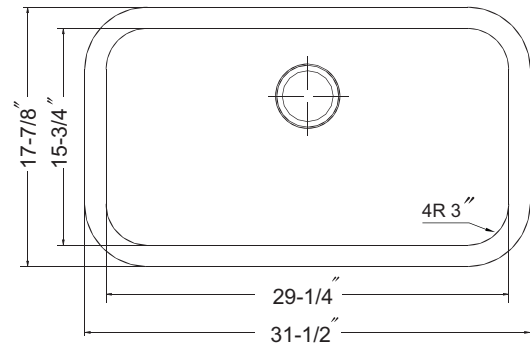
### Undermount Gourmet Single Bowl Model PNL-3600



PNL-3600

#### FEATURES

- Premium grade T-304 stainless steel
- 9" depth • 16 gauge
- StoneGuard™ undercoating over Super-Silencer pad
- Lustrous satin with highlighted rim
- Fits 36" sink base
- 3-1/2" drain opening
- Supplied with cutout template, fasteners and instructions
- Complies with ASME A112.19.3-2000, cUPC®
- 5 year Limited Warranty



#### OPTIONAL ACCESSORIES

Bottom Grid: BG-3600

Cutting Board : CB-2500

Strainer: 190-9180

OVERALL DIMENSIONS	EACH BOWL	CUTOUT SIZE	PACKAGING*	WEIGHT*
32-3/8" x 18-7/8"	29-1/4" x 15-3/4"	See Template	1/16/5/20 pcs.	25/440/130/440 lbs.

\*Standard packaging: Single boxed / Pallet of single boxed/Pallet of bulk pack/Pallet of bulk pack.  
All dimensions are in inches. Specifications subject to change without notice.

Project/Job name

Architect/Engineer

Contractor

Model

Q'ty

Notes

#### Installation profile

