

## ESTON SERIES

### Undermount Single Bowl Model PNG-2400



PNG-2400

#### FEATURES

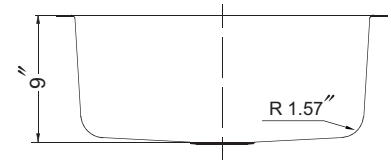
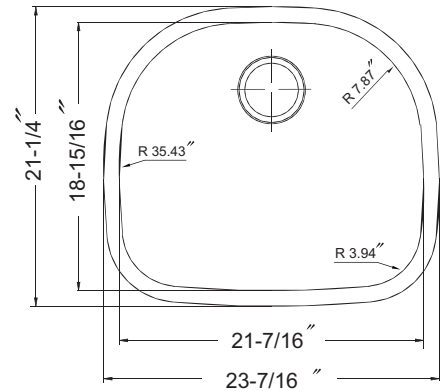
- Premium grade T-304 stainless steel
- 9" depth • 16 gauge
- StoneGuard™ undercoating over Super-Silencer pad
- Lustrous satin with highlighted rim
- Fits 30" sink base • 3-1/2" drain opening
- Supplied with cutout template, fasteners and instructions
- cUPC® Listed
- 5 year Limited Warranty



**TYPE 304**  
PREMIUM STAINLESS STEEL

**SUPER SILENCER**

**StoneGuard™**  
UNDERCOAT PROTECTION



#### OPTIONAL ACCESSORIES

Bottom Grid: BG-2400

Cutting Board : CB-2400

Rinsing Basket: RB-2400

Strainer: 190-9180

OVERALL DIMENSIONS	EACH BOWL	CUTOUT SIZE	PACKAGING*	WEIGHT*
23-7/16" x 21-1/4"	21-7/16" x 18-15/16"	See Template	1/16/5/20 pcs.	19/310/105/350 lbs.

\*Standard packaging: Single boxed /Pallet of single boxed/Pallet of bulk pack/Pallet of bulk pack.  
All dimensions are in inches. Specifications subject to change without notice.

Project/Job name

Architect/Engineer

Contractor

Model

Q'ty

Notes

#### Installation profile

