

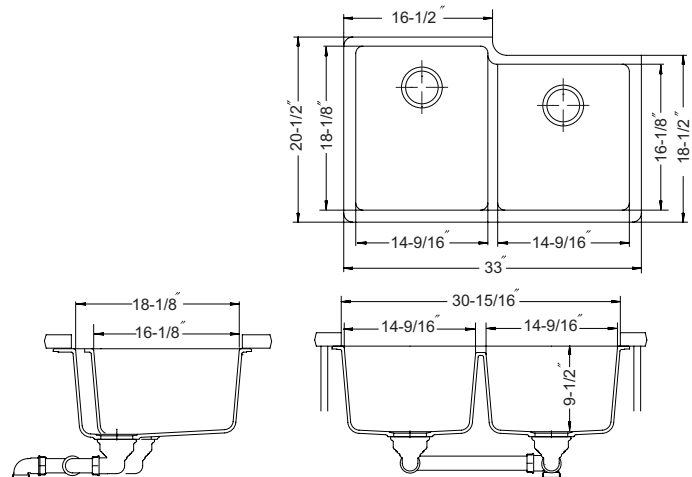
SCHOCK ◀ HOUZER. Undermount 60/40 Double Bowl Model Madison N-175U



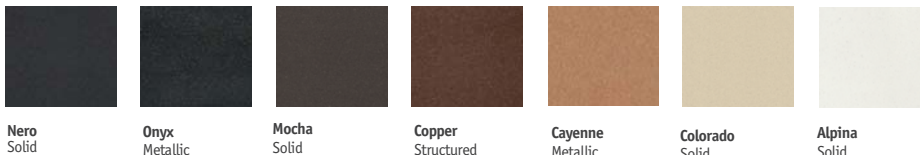
Madison N-175U

FEATURES

- CRISTALITE⁺
- 9-1/2" depth
- Intrinsically hygienic Non-porous surface
- Antibacterial protection with silver ion Antibac[®]
- Silky to the touch, 3 times harder than natural granite
- Food-safe, UV-stable-will not fade
- Heat resistance to +500°F
- Highest resistance to thermal shock, scratches and chips
- Color-fast throughout
- Fits 36" sink base • cUPC listed
- Supplied with cutout template, fasteners and instructions
- Lifetime Limited Warranty



OPTIONAL COLORS



Nero Solid

Onyx Metallic

Mocha Solid

Copper Structured

Cayenne Metallic

Colorado Solid

Alpina Solid

OVERALL DIMENSIONS	EACH BOWL	CUTOUT SIZE	PACKAGING*	WEIGHT*
33" x 20-1/2"	14-9/16" x 18-1/8" 14-9/16" x 16-1/8"	See Template	1/10 pcs.	54/580lbs.

*Standard packaging: Single boxed /Pallet of single boxed.
All dimensions are in inches. Specifications subject to change without notice.

OPTIONAL ACCESSORIES

Bottom Grid: 629702 (large bowl),
629703 (small bowl)

Cutting Board : CB-4100

Wire Tray: WT-3500

Strainer Options: Stainless steel strainers,
Color strainers, Color Disposal flanges

Project/Job name _____

Architect/Engineer _____

Contractor _____

Model _____ Q'ty _____

Notes _____