

ESTON SERIES

Undermount 60/40 Double Bowl

Model **PNE-3300SR** as shown

PNE-3300SL small bowl left



FEATURES

PNE-3300SR

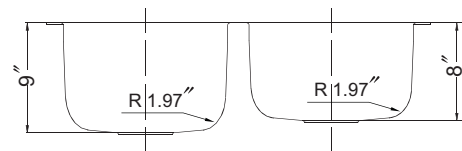
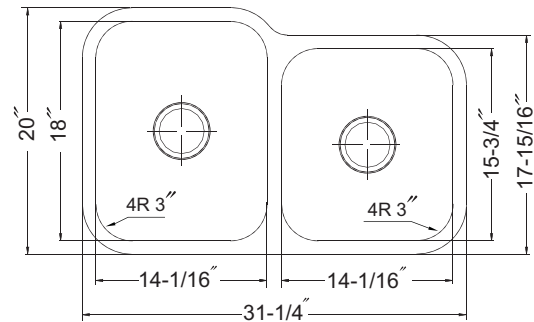
- Premium grade T-304 stainless steel
- 9" & 8" depth • 16 gauge
- StoneGuard™ undercoating over Super-Silencer pad
- Lustrous satin with highlighted rim
- Fits 36" sink base • 3-1/2" drain opening
- Supplied with cutout template, fasteners and instructions
- cUPC® Listed
- 5 year Limited Warranty



TYPE 304
PREMIUM STAINLESS STEEL

SUPER SILENCER

StoneGuard™
UNDERCOAT PROTECTION



OPTIONAL ACCESSORIES

Bottom Grid: BG-3100 & BG-3400

Cutting Board : CB-3100

Rinsing Basket: RB-3100

Strainer: 190-9180

OVERALL DIMENSIONS	EACH BOWL	CUTOUT SIZE	PACKAGING*	WEIGHT*
31-1/4" x 20"	14-1/16" x 18" 14-1/16" x 15-3/4"	See Template	1/16/5/20 pcs.	25/440/130/440 lbs.

*Standard packaging: Single boxed /Pallet of single boxed/Pallet of bulk pack/Pallet of bulk pack.
All dimensions are in inches. Specifications subject to change without notice.

Project/Job name _____

Architect/Engineer _____

Contractor _____

Model _____ Q'ty _____

Notes _____

Installation profile

