

## MEDALLION DESIGNER SERIES

### Undermount 70/30 Double Bowl

Model **MC-3210SR** as shown

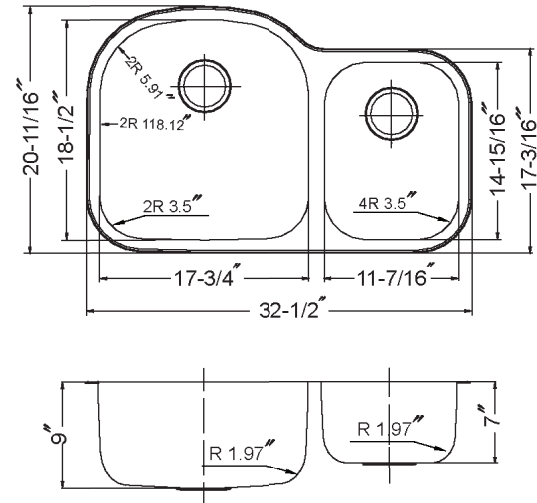
**MC-3210SL** small bowl left



MC-3210SR

### FEATURES

- Premium grade T-304 stainless steel
- 9" & 7" depth • 18 gauge
- StoneGuard™ undercoating over Super-Silencer pad
- SpecPlus™ edge
- Lustrous satin with highlighted rim
- Fits 36" sink base • 3-1/2" drain opening
- Supplied with cutout template, fasteners and instructions
- Complies with ASME A112.19.3-2000, cUPC®
- Lifetime Limited Warranty



ASME A112.19.3-2000



### OPTIONAL ACCESSORIES

Bottom Grid: BG-3200 & BG-1400    Colander : CL-1420  
 Cutting Board : CB-3200    Strainer: 190-9180

OVERALL DIMENSIONS	EACH BOWL	CUTOUT SIZE	PACKAGING*	WEIGHT*
32-1/2" x 20-11/16"	17-3/4" x 18-1/2" 11-1/16" x 14-15/16"	See Template	1/16/20 pcs.	22/390/420 lbs.

\*Standard packaging: Single boxed /Pallet of single boxed/Pallet of bulk pack.  
 All dimensions are in inches. Specifications subject to change without notice.

Project/Job name \_\_\_\_\_

Architect/Engineer \_\_\_\_\_

Contractor \_\_\_\_\_

Model \_\_\_\_\_ Q'ty \_\_\_\_\_

Notes \_\_\_\_\_

### Installation profile

