

Hammerwerks Series

Hand-Hammered Copper and Pewter Sinks

Large Square Bar/Prep Sink

Model **HW-TRES15A**

HW-TRES15S

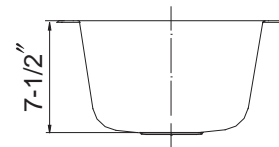
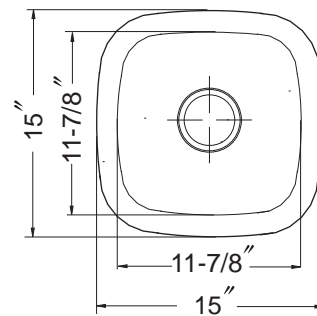


FEATURES

- Large Square Bar/Prep sink
- 15" x 15" overall
- 7-1/2" depth
- 3-1/2" drain opening

Model information

- **HW-TRES15A** Bar-Prep sink/Flat Lip, Antique copper
- **HW-TRES15S** Bar-Prep sink/Flat Lip, Lustrous pewter



Installation information

Your Hammerwerks® Hand-Hammered Copper sink is individually hand-crafted and not the product of assembly-line specifications. Every sink is unique and therefore a variance of approximately 1/4" in dimensions is usual. We recommend receiving your specific sink and measuring before cutting your countertop to ensure proper fit.

OVERALL DIMENSIONS	EACH BOWL	CUTOUT SIZE	PACKAGING*	WEIGHT*
15" x 15"	11-7/8" x 11-7/8"	See Template	1/16 pcs.	11/216 lbs.

*Standard packaging: Single boxed /Pallet of single boxed.

All dimensions are in inches. Specifications subject to change without notice.

Project/Job name _____

Architect/Engineer _____

Contractor _____

Model _____ Q'ty _____

Notes _____