

Hammerwerks Series

Hand-Hammered Copper and Pewter Sinks

Round Double Wall Vessel Sink

Model **HW-DOLCE15A**
HW-DOLCE15S

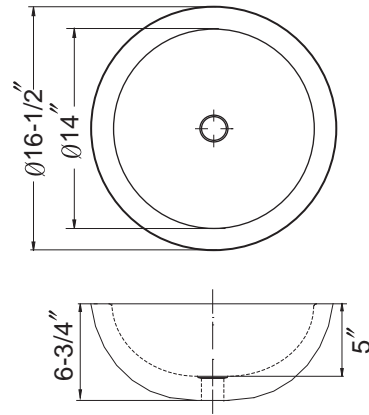


FEATURES

- Round double wall vessel sink
- 16-1/2" OD
- 5" depth
- 1-1/2" drain opening

Model information

- **HW-DOLCE15A** Round Double Wall, Antique copper w/ overflow
- **HW-DOLCE15S** Round Double Wall, Lustrous pewter w/ overflow



Installation information

Your Hammerwerks® Hand-Hammered Copper sink is individually hand-crafted and not the product of assembly-line specifications. Every sink is unique and therefore a variance of approximately 1/4" in dimensions is usual. We recommend receiving your specific sink and measuring before cutting your countertop to ensure proper fit.

OVERALL DIMENSIONS	EACH BOWL	CUTOUT SIZE	PACKAGING*	WEIGHT*
Ø16-1/2"	Ø14"		1/16 pcs.	14/264 lbs.

*Standard packaging: Single boxed /Pallet of single boxed.

All dimensions are in inches. Specifications subject to change without notice.

Project/Job name _____

Architect/Engineer _____

Contractor _____

Model _____ Q'ty _____

Notes _____