

Hammerwerks Series

Hand-Hammered Copper and Pewter Sinks

Classic Round Lavatory Sink

Model HW-CLA1RF
HW-CLA2RF
HW-CLA1RS
HW-CLA2RS

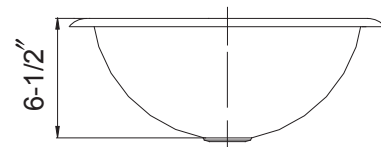
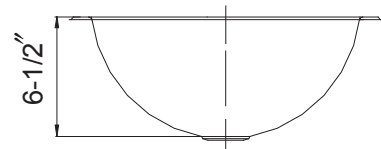
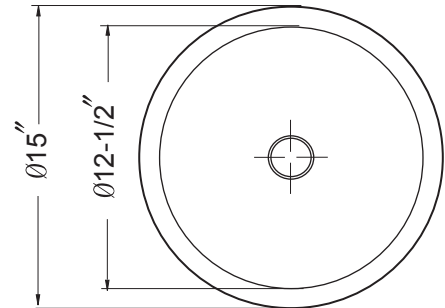


FEATURES

- Timeless classic round lavatory sink
- 15"OD
- 6-1/2" depth
- 1-1/2" drain opening

Model information

- **HW-CLA1RF** 15" Classic/Flat Lip, Antique copper w/ overflow
- **HW-CLA2RF** 15" Classic/Flat Lip, Lustrous pewter w/ overflow
- **HW-CLA1RS** 15" Classic/Self Rimming, Antique copper w/ overflow
- **HW-CLA2RS** 15" Classic/Self Rimming, Lustrous pewter w/ overflow



Installation information

Your Hammerwerks® Hand-Hammered Copper sink is individually hand-crafted and not the product of assembly-line specifications. Every sink is unique and therefore a variance of approximately 1/4" in dimensions is usual. We recommend receiving your specific sink and measuring before cutting your countertop to ensure proper fit.

OVERALL DIMENSIONS	EACH BOWL	CUTOUT SIZE	PACKAGING*	WEIGHT*
Ø15"	Ø12-1/2"	See Template	1/16 pcs.	10/200 lbs.

*Standard packaging: Single boxed /Pallet of single boxed.

All dimensions are in inches. Specifications subject to change without notice.

Project/Job name

Architect/Engineer

Contractor

Model

Q'ty

Notes