

## EPICURE SERIES

### Farm House Single Bowl Model EPG-3300



EPG-3300

### FEATURES

- Premium grade T-304 stainless steel
- 10" depth • 16/18 gauge
- MegaShield™ insulation
- Farmhouse sink with apron
- Apron 10" high with 2-1/2" offset
- Brushed satin, rear-set drain • 3-1/2" drain opening
- Fits 33" sink base • Requires Custom Cabinet
- Supplied with fasteners and instructions
- Complies with ASME A112.19.3-2000, cUPC®
- Lifetime Limited Warranty

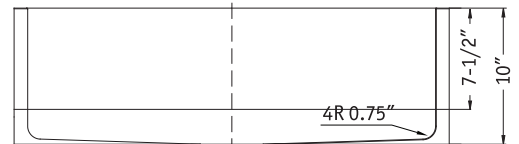
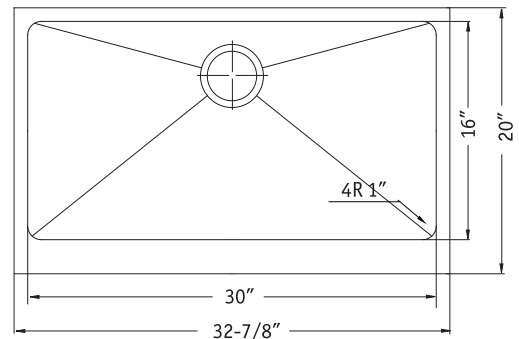


### OPTIONAL ACCESSORIES

Bottom Grid: BG-5330

Cutting Board : CB-4500

Strainer: 190-9180



OVERALL DIMENSIONS	EACH BOWL	CUTOUT SIZE	PACKAGING*	WEIGHT*
32-7/8" x 20"	30" x 16"	See Template	1/12 pcs.	42/540 lbs.

\*Standard packaging: Single boxed /Pallet of single boxed.  
All dimensions are in inches. Specifications subject to change without notice.

Project/Job name

Architect/Engineer

Contractor

Model

Q'ty

Notes

### Installation profile

