

OPUS SERIES

Lavatory Conical Bowl

Model CR-1620 Undermount

CRO-1620 Undermount with overflow

CRT-1620 Topmount

CRT0-1620 Topmount with overflow



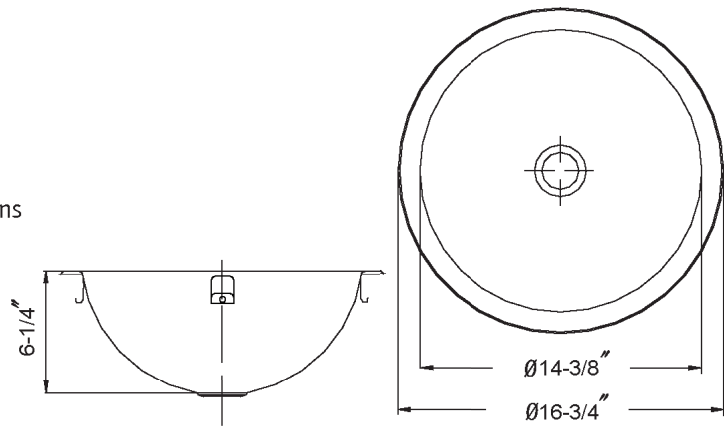
CR-1620

FEATURES

- Premium grade T-304 stainless steel
- 6-1/4" depth • 18 gauge
- StoneGuard™ undercoating
- SpecPlus™ edge
- Lustrous satin with highlighted rim
- Fits 21" sink base
- 1-1/2" drain opening
- Supplied with cutout template, fasteners and instructions
- Complies with ASME A112.19.3-2000, UPC®
- Lifetime Limited Warranty



ASME A112.19.3-2000



OPTIONAL ACCESSORIES

Grid Drain : FD-10

Overflow Assembly : OD-10

| OVERALL DIMENSIONS | EACH BOWL | CUTOUT SIZE | PACKAGING* | WEIGHT* |
|--------------------|-----------|--------------|--------------|----------------|
| Ø16-3/4" | Ø14-3/8" | See Template | 1/32/40 pcs. | 7/260/260 lbs. |

*Standard packaging: Single boxed /Pallet of single boxed/Pallet of bulk pack.
All dimensions are in inches. Specifications subject to change without notice.

Project/Job name _____

Architect/Engineer _____

Contractor _____

Model _____ Q'ty _____

Notes _____

Installation profile

