

GLOWTONE ADA COMPLIANT SERIES

Topmount Single Bowl

Model A2522-65BS3 3 holes

A2522-65BS4 4 holes



A2522-65BS

FEATURES

- Premium grade T-304 stainless steel
- 6-1/2" depth • 18 gauge • 3 or 4 holes
- StoneGuard™ undercoating over Super-Silencer pad
- Lustrous satin with highlighted rim
- Fits 30" sink base
- 3-1/2" drain opening
- Supplied with fasteners and instructions
- cUPC® Listed
- Lifetime Limited Warranty



TYPE 304
PREMIUM STAINLESS STEEL

SUPER SILENCER

StoneGuard™
UNDERCOAT PROTECTION

Lifetime Warranty

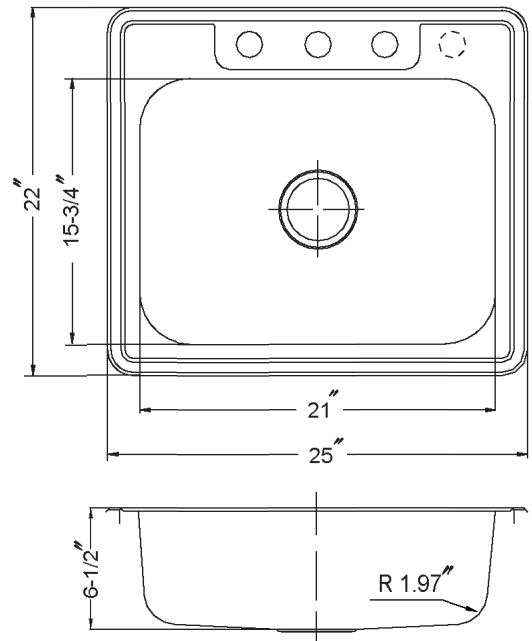
OPTIONAL ACCESSORIES

Bottom Grid: BG-2500

Cutting Board : CB-2500

Rinsing Basket : RB-2500

Strainer: 190-9180



OVERALL DIMENSIONS	EACH BOWL	CUTOUT SIZE	PACKAGING*	WEIGHT*
25" x 22"	21" x 15-3/4"	24-1/4" x 21-1/4"	1/16/36 pcs.	8/160/220 lbs.

*Standard packaging: Single boxed /Pallet of single boxed/Pallet of bulk pack.
All dimensions are in inches. Specifications subject to change without notice.

Project/Job name _____

Architect/Engineer _____

Contractor _____

Model _____ Q'ty _____

Notes _____

Installation profile

