

PLATUS SERIES

Fire Clay Undermount Large Single Bowl

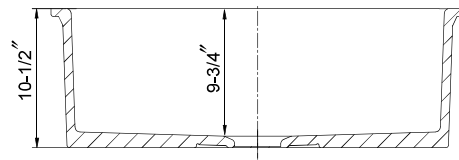
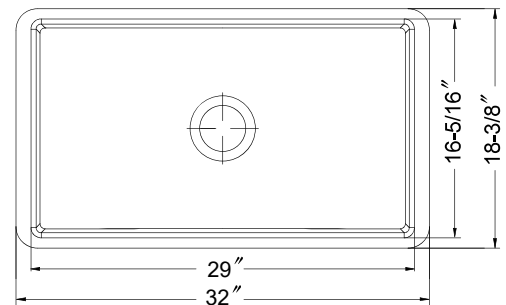
- Model** PTU-3600 WH - White
 PTU-3600 BQ - Biscuit
 PTU-3600 BL – Matte Black
 PTU-3600 GR – Matte Gray
 PTU-3600 MWH – Matte White
 PTU-3600 MZ – Marble White and Gray



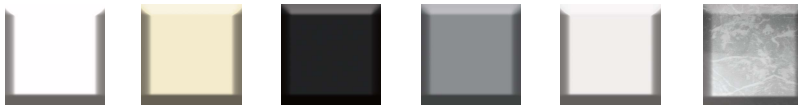
FEATURES

- Apron Front Installation
- Non-porous glossy surface
- 9-3/4" depth • 3-1/2" drain opening
- Chip, crack and scratch resistant • 6 distinctive colors
- Fits 36" minimum cabinet
- Supplied with fasteners and instructions
- No cut out template is supplied as each sink dimension will vary due to the nature of fireclay manufacturing process.
- Complies with ASME A112.19.2 and CSA B45.1-2013 standards
 Certified by ICC-ES PMG
- Lifetime Limited Warranty

PTU-3600



OPTIONAL COLORS



White Biscuit Matte Black Matte Gray Matte White Marble

Color variations possible due to printing constraints.

OVERALL DIMENSIONS	EACH BOWL	PACKAGING*	WEIGHT*
32" x 18-3/8"	29" x 16-5/16"	1/10 pcs.	100/1040lbs.

*Standard packaging: Single boxed /Pallet of single boxed.
 All dimensions are in inches. Specifications subject to change without notice.

OPTIONAL ACCESSORIES

- Bottom Grid: BG-8600
 Strainer: 190-9180

Project/Job name _____

Architect/Engineer _____

Contractor _____

Model _____ Q'ty _____

Notes _____