

## PLATUS SERIES

### Fire Clay Undermount Large Single Bowl

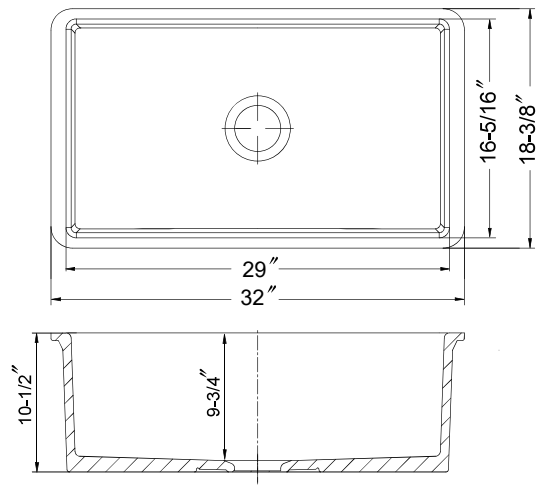
- Model** PTU-3600 WH-C - White  
 PTU-3600 BQ-C - Biscuit  
 PTU-3600 BL-C – Matte Black  
 PTU-3600 GR-C – Matte Gray  
 PTU-3600 MWH-C – Matte White  
 PTU-3600 MZ-C – Marble White and Gray



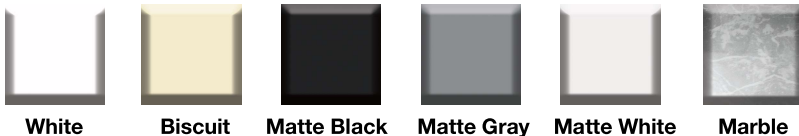
PTU-3600-C

### FEATURES

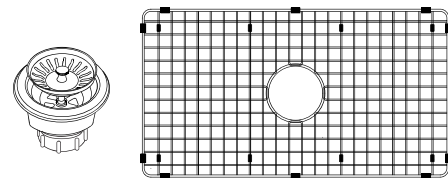
- Apron Front Installation
- Non-porous glossy surface
- 9-3/4" depth • 3-1/2" drain opening
- Chip, crack and scratch resistant • 6 distinctive colors
- Fits 36" minimum cabinet
- Supplied with fasteners and instructions
- Includes : Bottom grid and Stainless Steel Basket Strainer
- No cut out template is supplied as each sink dimension will vary due to the nature of fireclay manufacturing process.
- Complies with ASME A112.19.2 and CSA B45.1-2013 standards Certified by ICC-ES PMG
- Lifetime Limited Warranty



### OPTIONAL COLORS



Color variations possible due to printing constraints.



OVERALL DIMENSIONS	EACH BOWL	PACKAGING*	WEIGHT*
32" x 18-3/8"	29" x 16-5/16"	1/10 pcs.	110/1140 lbs.

\*Standard packaging: Single boxed /Pallet of single boxed.  
 All dimensions are in inches. Specifications subject to change without notice.

### INCLUDED ACCESSORIES

- Bottom Grid: BG-8600  
 Strainer: 190-9180

Project/Job name \_\_\_\_\_

Architect/Engineer \_\_\_\_\_

Contractor \_\_\_\_\_

Model \_\_\_\_\_ Q'ty \_\_\_\_\_

Notes \_\_\_\_\_