

## PLATUS SERIES

### Fire Clay Apron Front Single Bowl

**Model** PTS-4118 WH-C - White  
PTS-4118 BQ-C - Biscuit



## FEATURES

PTS-4118-C

- Apron Front Installation
- Non-porous glossy surface
- 9-1/4" depth • 3-1/2" drain opening
- Chip, crack and scratch resistant
- 2 distinctive colors • Requires Custom Cabinet
- Supplied with fasteners and instructions
- Includes : Bottom grid and Stainless Steel Basket Straine
- No cut out template is supplied as each sink dimension will vary due to the nature of fireclay manufacturing process.
- Complies with ASME A112.19.2 and CSA B45.1-2013 standards Certified by ICC-ES PMG
- Lifetime Limited Warranty



## OPTIONAL COLORS



**White**

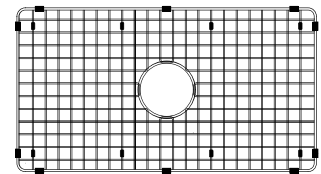
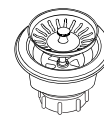
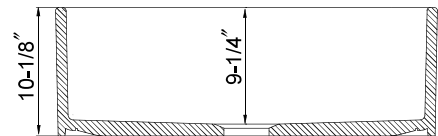
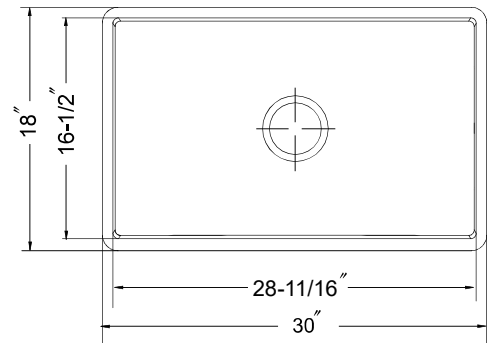


**Biscuit**

Color variations possible due to printing constraints.

OVERALL DIMENSIONS	EACH BOWL	PACKAGING*	WEIGHT*
30" x 18"	28-11/16" x 16-1/2"	1/10 pcs.	115/1190 lbs.

\*Standard packaging: Single boxed /Pallet of single boxed.  
All dimensions are in inches. Specifications subject to change without notice.



## INCLUDED ACCESSORIES

Bottom Grid: BG-7118

Strainer : 190-9180

Project/Job name \_\_\_\_\_

Architect/Engineer \_\_\_\_\_

Contractor \_\_\_\_\_

Model \_\_\_\_\_ Q'ty \_\_\_\_\_

Notes \_\_\_\_\_