

## PLATUS SERIES

### Fire Clay Undermount Double Bowl with low wall

**Model** PTD-6400 WH-C - White  
PTD-6400 BQ-C - Biscuit



## FEATURES

- Non-porous glossy surface
- 7-3/8" depth
- 3-1/2" drain opening
- Chip, crack and scratch resistant
- 2 distinctive colors • Fits 36" sink base
- Supplied with fasteners and instructions
- Includes : Bottom grids and Stainless Steel Basket Strainers
- No cut out template is supplied as each sink dimension will vary due to the nature of fireclay manufacturing process.
- Complies with ASME A112.19.2 and CSA B45.1-2013 standards Certified by ICC-ES PMG
- Lifetime Limited Warranty



## OPTIONAL COLORS



**White**

**Biscuit**

Color variations possible due to printing constraints.

OVERALL DIMENSIONS	EACH BOWL	PACKAGING*	WEIGHT*
32-3/16" x 18"	14-7/8" x 16-7/16"	1/10 pcs.	120/1240lbs.

\*Standard packaging: Single boxed /Pallet of single boxed.  
All dimensions are in inches. Specifications subject to change without notice.

Project/Job name \_\_\_\_\_

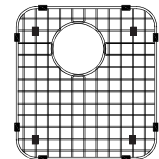
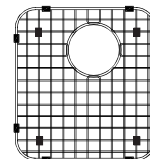
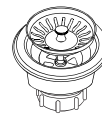
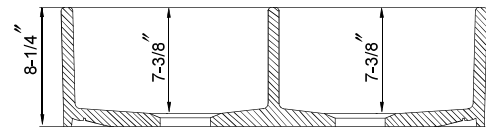
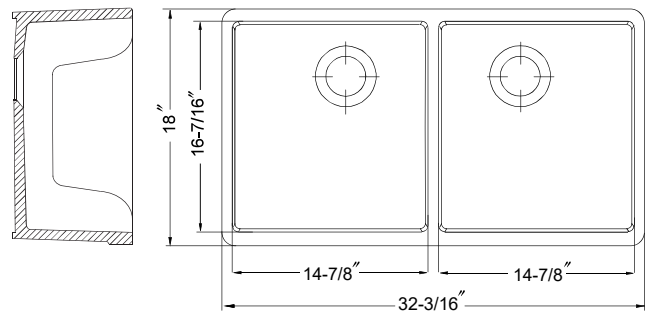
Architect/Engineer \_\_\_\_\_

Contractor \_\_\_\_\_

Model \_\_\_\_\_ Q'ty \_\_\_\_\_

Notes \_\_\_\_\_

PTD-6400-C



## INCLUDED ACCESSORIES

Bottom Grid: BG-7050L (Left bowl),  
BG-7050R (Right bowl)  
Strainer : 190-9180