

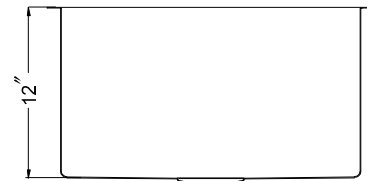
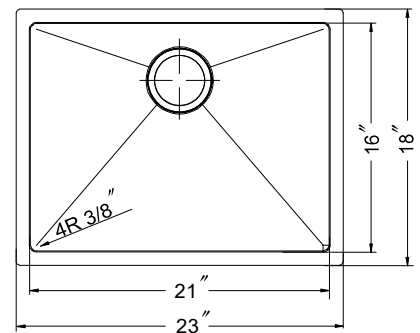
## 10mm Radius Undermount Single Bowl Laundry Sink Model LUH-2318



### FEATURES

- Premium grade T-304 stainless steel
- 12" depth • 18 gauge
- MegaShield™ insulation
- 10mm/0.4" Radius Coved Corner
- Brushed satin • Rear-set Drain
- 3-1/2" drain opening
- Fits 30" sink base
- Supplied with cutout template, fasteners and instructions
- Lifetime Limited Warranty

LUH-2318



### OPTIONAL ACCESSORIES

Bottom Grid: BG-4210

Strainer: 190-9180

OVERALL DIMENSIONS	EACH BOWL	CUTOUT SIZE	PACKAGING*	WEIGHT*
23" x 18"	21" x 16"	See Template	1/12 pcs.	30/400 lbs.

\*Standard packaging: Single boxed /Pallet of single boxed.  
All dimensions are in inches. Specifications subject to change without notice.

Project/Job name \_\_\_\_\_

Architect/Engineer \_\_\_\_\_

Contractor \_\_\_\_\_

Model \_\_\_\_\_ Qty \_\_\_\_\_

Notes \_\_\_\_\_

### Installation profile

