

Quartztone®

Undermount Single Bowl

Model G-300U Cloud

G-300U Midnite

G-300U Mocha

G-300U Sand

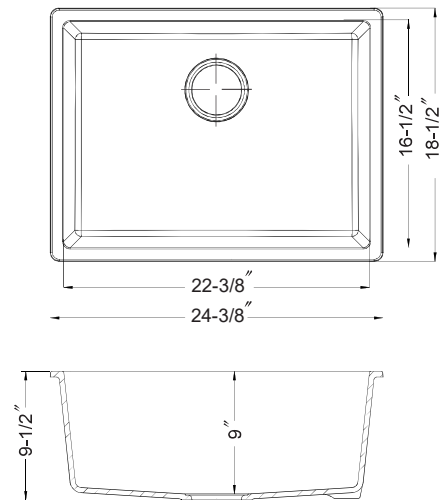
G-300U Slate



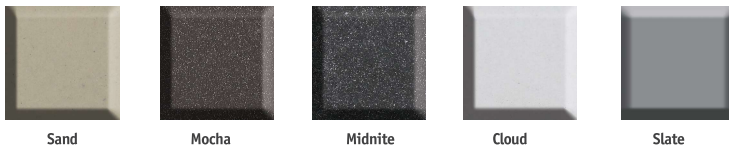
G-300U

FEATURES

- 80% quartz
- 9" depth
- Intrinsically hygienic non-porous surface
- Antibacterial protection with silver ion Microstop
- Silky to the touch, 3 times harder than natural granite
- Food-safe, UV-stable (will not fade)
- Heat resistance to +500°F • Available in 5 colors
- Highest resistance to thermal shock, scratches and chips
- Ariapure features odor and pollutant disinfection
- Fits 30" sink base
- Supplied with cutout template, fasteners and instructions
- Limited Lifetime Warranty



OPTIONAL COLORS



Sand

Mocha

Midnite

Cloud

Slate

OVERALL DIMENSIONS	EACH BOWL	CUTOUT SIZE	PACKAGING*	WEIGHT*
24-3/8" x 18-1/2"	22-3/8" x 16-1/2"	See Template	1/10 pcs.	32/360lbs.

*Standard packaging: Single boxed /Pallet of single boxed.
All dimensions are in inches. Specifications subject to change without notice.

OPTIONAL ACCESSORIES

Bottom Grid: 629808

Strainer Options: Stainless steel strainers,
Color strainers, Color Disposal flanges

Project/Job name _____

Architect/Engineer _____

Contractor _____

Model _____ Qty _____

Notes _____