

CLUB SERIES

Undermount Small Bar/Prep Sink Model CS-1307



CS-1307

FEATURES

- Premium grade T-304 stainless steel
- 6-1/4" depth • 18 gauge
- StoneGuard™ undercoating over Super-Silencer pad
- SpecPlus™ edge
- Lustrous satin with highlighted rim
- Fits 18" sink base
- 2" drain opening
- Supplied with cutout template, fasteners and instructions
- Complies with ASME A112.19.3-2000, cUPC®
- Lifetime Limited Warranty



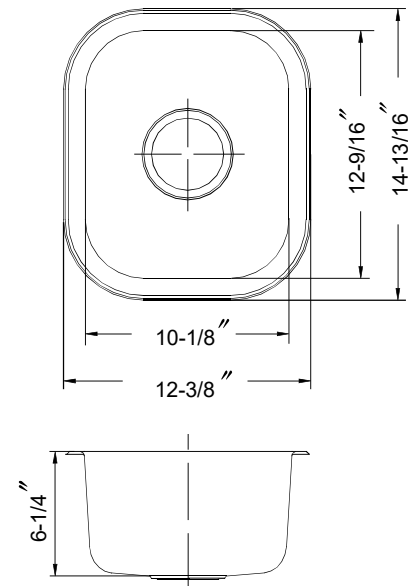
TYPE 304
PREMIUM STAINLESS STEEL

SpecPlus™
EDGE
The Strongest Sinks You Can Buy

SUPER SILENCER

StoneGuard™
UNDERCOAT PROTECTION

Lifetime Warranty*



OPTIONAL ACCESSORIES

Bottom Grid: BG-1300

Strainer: 190-4200

OVERALL DIMENSIONS	EACH BOWL	CUTOUT SIZE	PACKAGING*	WEIGHT*
12-3/8" x 14-13/16"	10-1/8" x 12-9/16"	See Template	1/32/40 pcs.	6/230/250 lbs.

*Standard packaging: Single boxed /Pallet of single boxed/Pallet of bulk pack.
All dimensions are in inches. Specifications subject to change without notice.

Project/Job name _____

Architect/Engineer _____

Contractor _____

Model _____ Q'ty _____

Notes _____

Installation profile

