

ADA TOPMOUNT SERIES

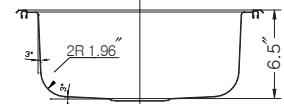
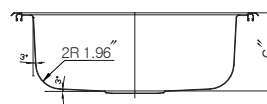
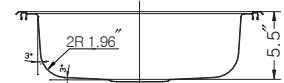
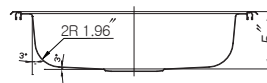
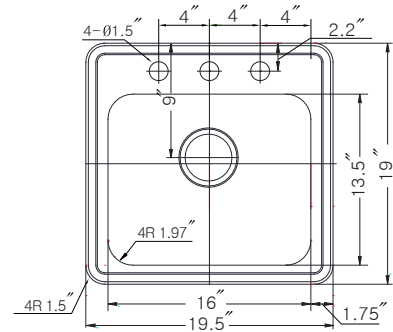
Topmount Single Bowl Model A1919



A1919

FEATURES

- Premium grade T-304 stainless steel
- 5", 5.5", 6", 6.5" depth
- 18 gauge • 3 holes
- StoneGuard™ undercoating over Super-Silencer pad
- Lustrous satin with highlighted rim
- Fits 30" sink base • 3-1/2" drain opening
- Supplied with cutout template, fasteners and instructions
- Complies with ASME A112.19.3-2000, cUPC®
- Lifetime Limited Warranty



OPTIONAL ACCESSORIES

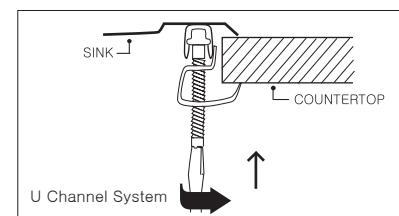
Cutting Board : CB-2500

Strainer: 190-9180

| OVERALL DIMENSIONS | EACH BOWL | CUTOUT SIZE | PACKAGING* | WEIGHT* |
|--------------------|-------------|--------------|--------------|-----------------|
| 19.5" x 19" | 16" x 13.5" | See Template | 1/16/40 pcs. | 10/200/340 lbs. |

*Standard packaging: Single boxed /Pallet of single boxed/Pallet of bulk pack.
All dimensions are in inches. Specifications subject to change without notice.

Installation profile



Project/Job name _____

Architect/Engineer _____

Contractor _____

Model _____ Q'ty _____

Notes _____