

## HOSPITALITY SERIES

### Round Bar/Prep Sink with Ledge Model SRF-1850



SRF-1850

### FEATURES

- Premium grade T-304 stainless steel
- 7-1/2" depth
- 18 gauge • 1 hole
- StoneGuard™ undercoating over Super-Silencer pad
- Hi-polished ledge and satin bowl
- Fits 24" sink base
- 3-1/2" drain opening
- Supplied with fasteners and instructions
- cUPC® Listed
- Lifetime Limited Warranty

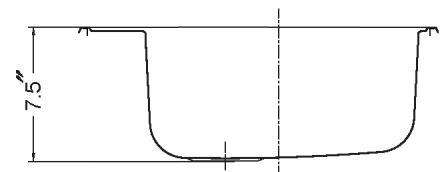
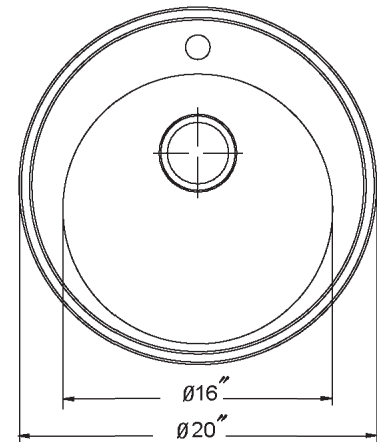


**TYPE 304**  
PREMIUM STAINLESS STEEL

**SUPER SILENCER**

**StoneGuard™**  
UNDERCOAT PROTECTION

**Lifetime Warranty**



### OPTIONAL ACCESSORIES

Strainer: 190-9180

OVERALL DIMENSIONS	EACH BOWL	CUTOUT SIZE	PACKAGING*	WEIGHT*
Ø20"	Ø16"	Ø19-1/4"	1/16/20 pcs.	12/230/280 lbs.

\*Standard packaging: Single boxed /Pallet of single boxed/Pallet of bulk pack.  
All dimensions are in inches. Specifications subject to change without notice.

Project/Job name \_\_\_\_\_

Architect/Engineer \_\_\_\_\_

Contractor \_\_\_\_\_

Model \_\_\_\_\_ Q'ty \_\_\_\_\_

Notes \_\_\_\_\_

### Installation profile

