

PREMIERE REFLECTION SERIES

Topmount 70/30 Double Bowl

Model **RMC-3322SR** as shown

RMC-3322SL small bowl left



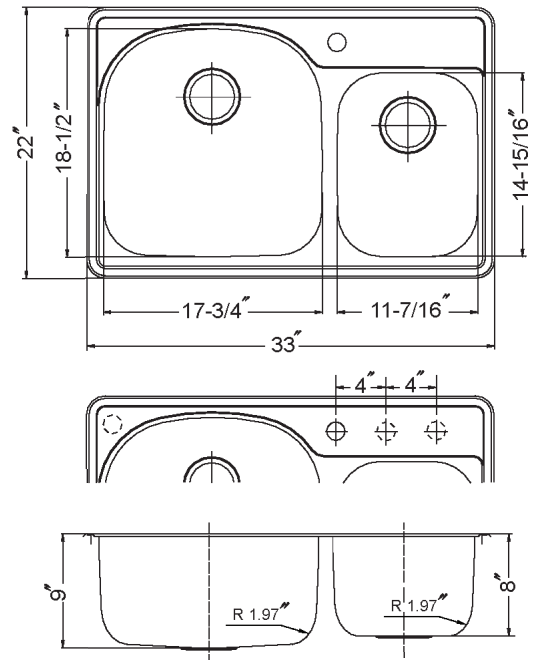
RMC-3322SR

FEATURES

- Premium grade T-304 stainless steel
- 9" & 8" depth • 18 gauge
- 1 hole standard, optional 2, 3, or 4 holes
- StoneGuard™ undercoating over Super-Silencer pad
- High polished ledge and satin finished bowl
- Fits 36" sink base • 3-1/2" drain opening
- Supplied with fasteners and instructions
- Complies with ASME A112.19.3-2000, cUPC®
- Lifetime Limited Warranty



ASME A112.19.3-2000



OPTIONAL ACCESSORIES

Bottom Grid: BG-1400 & BG-3200 Colander : CL-1420
 Cutting Board : CB-3200 Strainer: 190-9180

OVERALL DIMENSIONS	EACH BOWL	CUTOUT SIZE	PACKAGING*	WEIGHT*
33" x 22"	17-3/4" x 18-1/2" 11-1/16" x 14-15/16"	32-1/4" x 21-1/4"	1/14/12 pcs.	25/400/300 lbs.

*Standard packaging: Single boxed /Pallet of single boxed/Pallet of bulk pack.
 All dimensions are in inches. Specifications subject to change without notice.

Project/Job name _____

Architect/Engineer _____

Contractor _____

Model _____ Q'ty _____

Notes _____

Installation profile

