

## CLUB SERIES

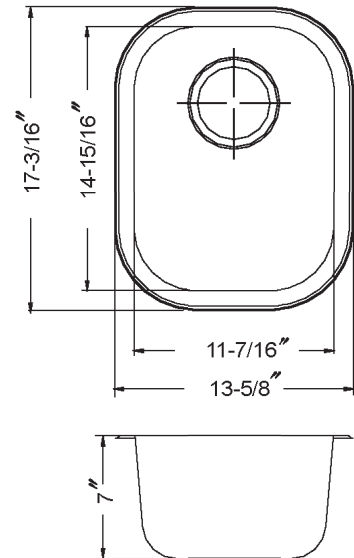
### Undermount Medium Bar/Prep Sink Model CS-1407



CS-1407

#### FEATURES

- Premium grade T-304 stainless steel
- 7" depth • 18 gauge
- StoneGuard™ undercoating over Super-Silencer pad
- SpecPlus™ edge
- Lustrous satin with highlighted rim
- Fits 18" sink base
- 3-1/2" drain opening
- Supplied with cutout template, fasteners and instructions
- Complies with ASME A112.19.3-2000, UPC®
- Lifetime Limited Warranty



#### OPTIONAL ACCESSORIES

- Bottom Grid: BG-1400
- Colander : CL-1420
- Strainer: 190-4200

| OVERALL DIMENSIONS | EACH BOWL            | CUTOUT SIZE  | PACKAGING*   | WEIGHT*        |
|--------------------|----------------------|--------------|--------------|----------------|
| 13-5/8" x 17-3/16" | 11-7/16" x 14-15/16" | See Template | 1/32/40 pcs. | 7/260/260 lbs. |

\*Standard packaging: Single boxed /Pallet of single boxed/Pallet of bulk pack.  
All dimensions are in inches. Specifications subject to change without notice.

Project/Job name

Architect/Engineer

Contractor

Model Q'ty

Notes

#### Installation profile

