

## CLUB SERIES

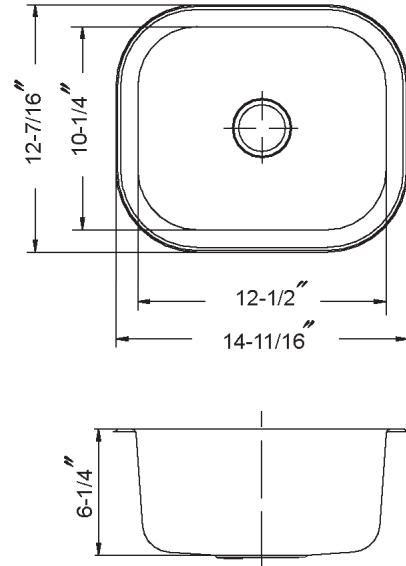
### Undermount Small Bar/Prep Sink Model CS-1307



CS-1307

#### FEATURES

- Premium grade T-304 stainless steel
- 6-1/4" depth • 18 gauge
- StoneGuard™ undercoating over Super-Silencer pad
- SpecPlus™ edge
- Lustrous satin with highlighted rim
- Fits 18" sink base
- 2" drain opening
- Supplied with cutout template, fasteners and instructions
- Complies with ASME A112.19.3-2000, UPC®
- Lifetime Limited Warranty



#### OPTIONAL ACCESSORIES

- Bottom Grid: BG-1300
- Strainer: 190-4200

OVERALL DIMENSIONS	EACH BOWL	CUTOUT SIZE	PACKAGING*	WEIGHT*
14-11/16" x 12-7/16"	12-1/2" x 10-1/4"	See Template	1/32/40 pcs.	6/230/250 lbs.

\*Standard packaging: Single boxed /Pallet of single boxed/Pallet of bulk pack.  
 All dimensions are in inches. Specifications subject to change without notice.

Project/Job name \_\_\_\_\_

Architect/Engineer \_\_\_\_\_

Contractor \_\_\_\_\_

Model \_\_\_\_\_ Q'ty \_\_\_\_\_

Notes \_\_\_\_\_

#### Installation profile

