

GLOWTONE ADA COMPLIANT SERIES

Topmount Single Bowl

Model A2522-65BS3 3 holes

A2522-65BS4 4 holes



FEATURES

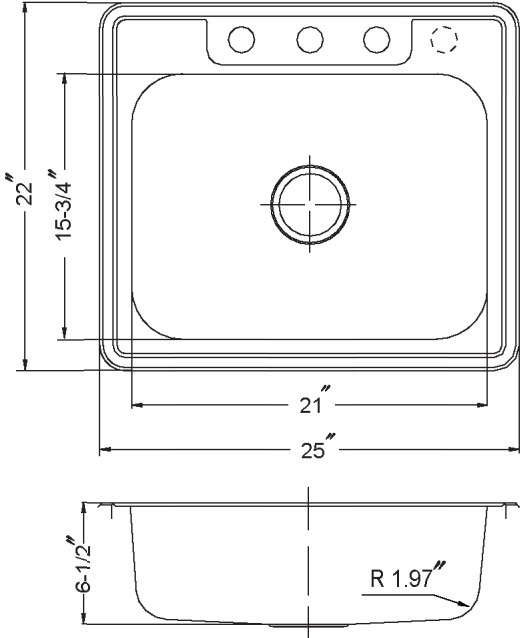
A2522-65BS

- Premium grade T-304 stainless steel
- 6-1/2" depth • 18 gauge • 3 or 4 holes
- StoneGuard™ undercoating over Super-Silencer pad
- Lustrous satin with highlighted rim
- Fits 30" sink base
- 3-1/2" drain opening
- Supplied with fasteners and instructions
- Complies with ASME A112.19.3-2000, UPC®
- Lifetime Limited Warranty



OPTIONAL ACCESSORIES

- Bottom Grid: BG-2500
- Cutting Board : CB-2500
- Rinsing Basket : RB-2500
- Strainer: 190-9180



| OVERALL DIMENSIONS | EACH BOWL | CUTOUT SIZE | PACKAGING* | WEIGHT* |
|--------------------|---------------|-------------------|--------------|----------------|
| 25" x 22" | 21" x 15-3/4" | 24-1/4" x 21-1/4" | 1/16/36 pcs. | 8/160/220 lbs. |

*Standard packaging: Single boxed /Pallet of single boxed/Pallet of bulk pack.
All dimensions are in inches. Specifications subject to change without notice.

Project/Job name _____

Architect/Engineer _____

Contractor _____

Model _____ Q'ty _____

Notes _____

Installation profile

